

WARRANTY CONDITIONS

EN This product is guaranteed against faults caused by defects in manufacturing or the materials used for a period of two years, starting from the date of purchase.* This warranty does not cover defects or damage caused by failure to install the device correctly, incorrect use of the product, or excessive wear and tear.

*proof of purchase required.

CONDITION DE GARANTIE

FR Ce produit est garanti pour une période de 2 ans à partir de la date d'achat*, contre toute défaillance résultant d'un vice de fabrication ou de matériau. Cette garantie ne couvre pas les vices ou les dommages résultant d'une mauvaise installation, d'une utilisation incorrecte ou de l'usure anormale du produit.

*sur présentation du ticket de caisse.

GARANTIEVOORWAARDEN

NL Dit product wordt gegarandeerd voor een periode van 2 jaar vanaf de aankoopdatum*, voor elke storing die het gevolg is van een fabricagefout of het materiaal. Gebreken of schade door slechte installatie, onjuist gebruik of abnormale slijtage van het product worden niet gedekt door deze garantie.

*op vertoon van kassabon.

CONDICIONES DE GARANTÍA

ES El certificado de garantía de este producto tiene una duración de 2 años a partir de la fecha de compra* que se limita a los defectos de fabricación y averías del material. Se excluyen de la garantía deficiencias o daños originados por una mala instalación, errores en la manipulación o por un uso inadecuado.

*previa presentación del comprobante de compra.

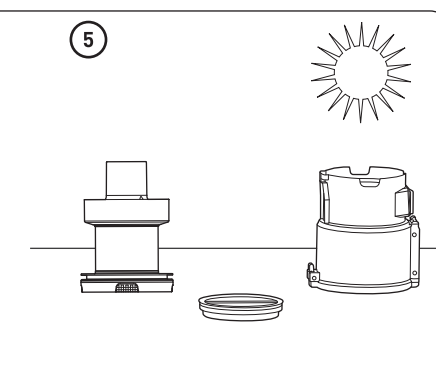
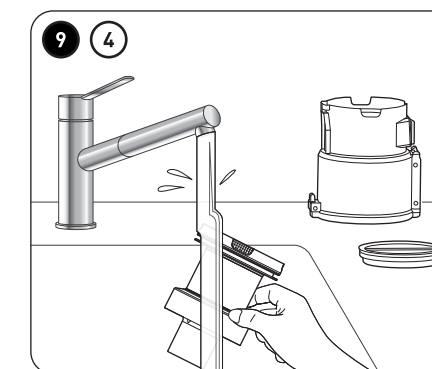
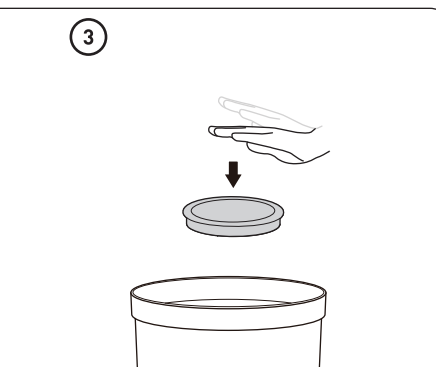
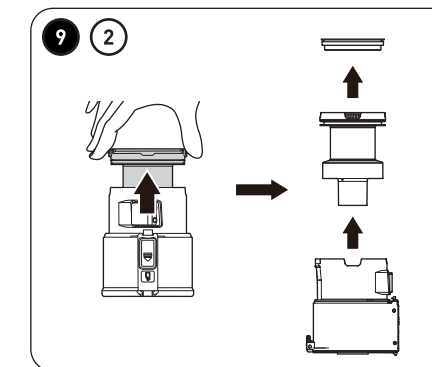
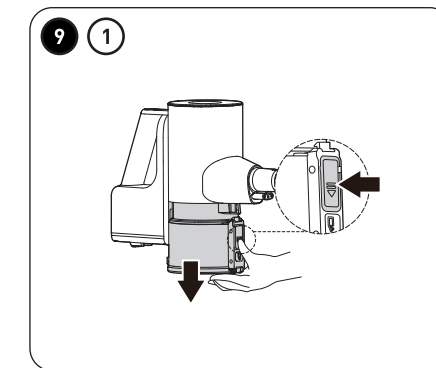
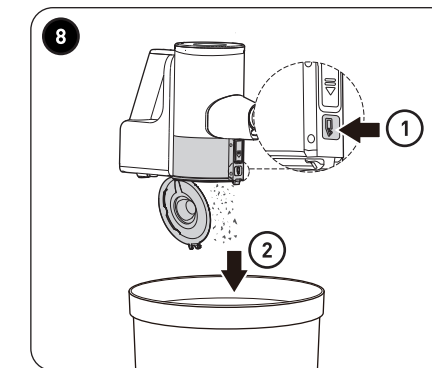
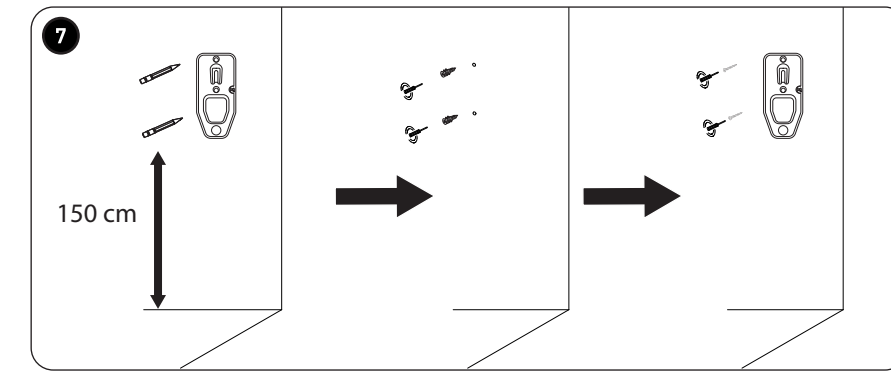
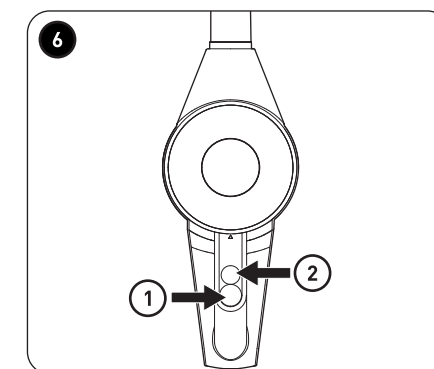
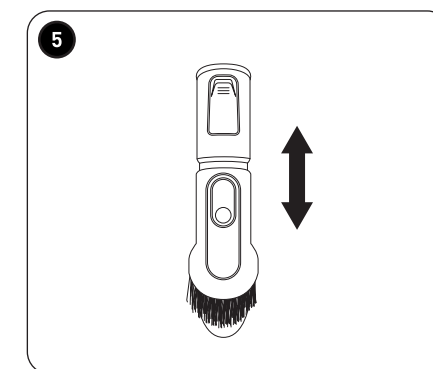
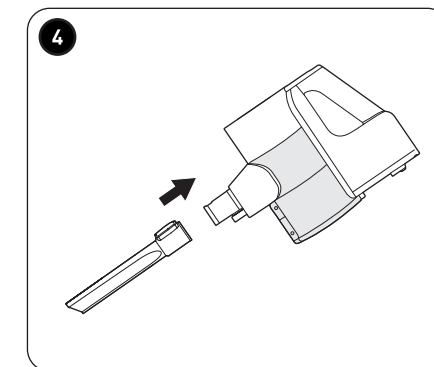
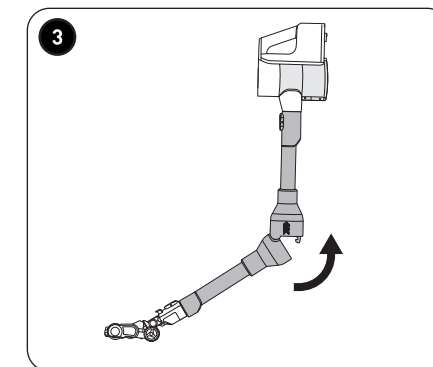
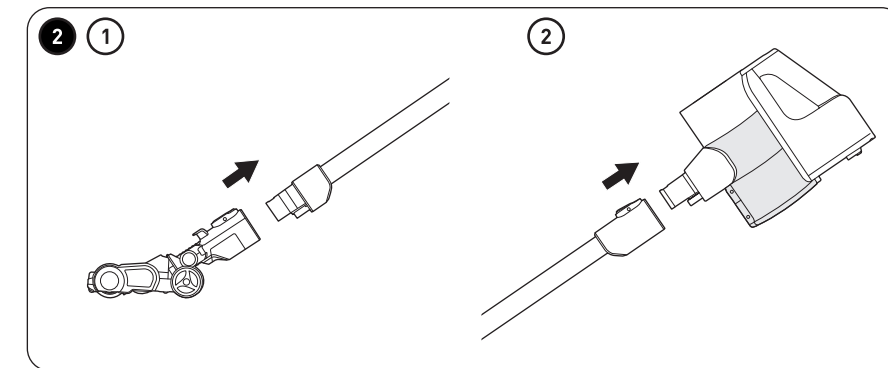
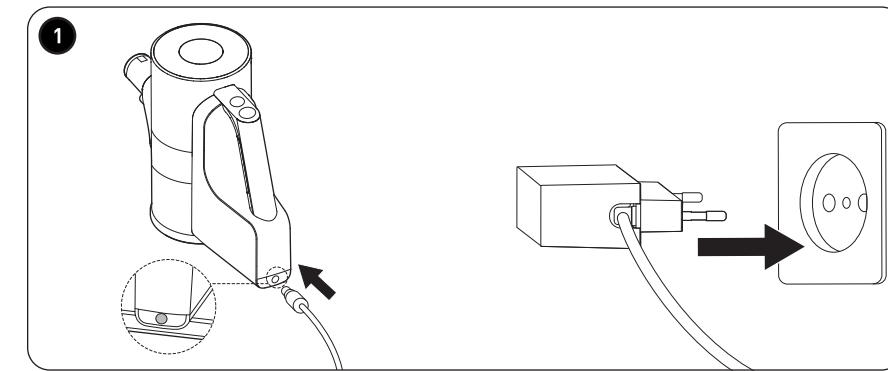
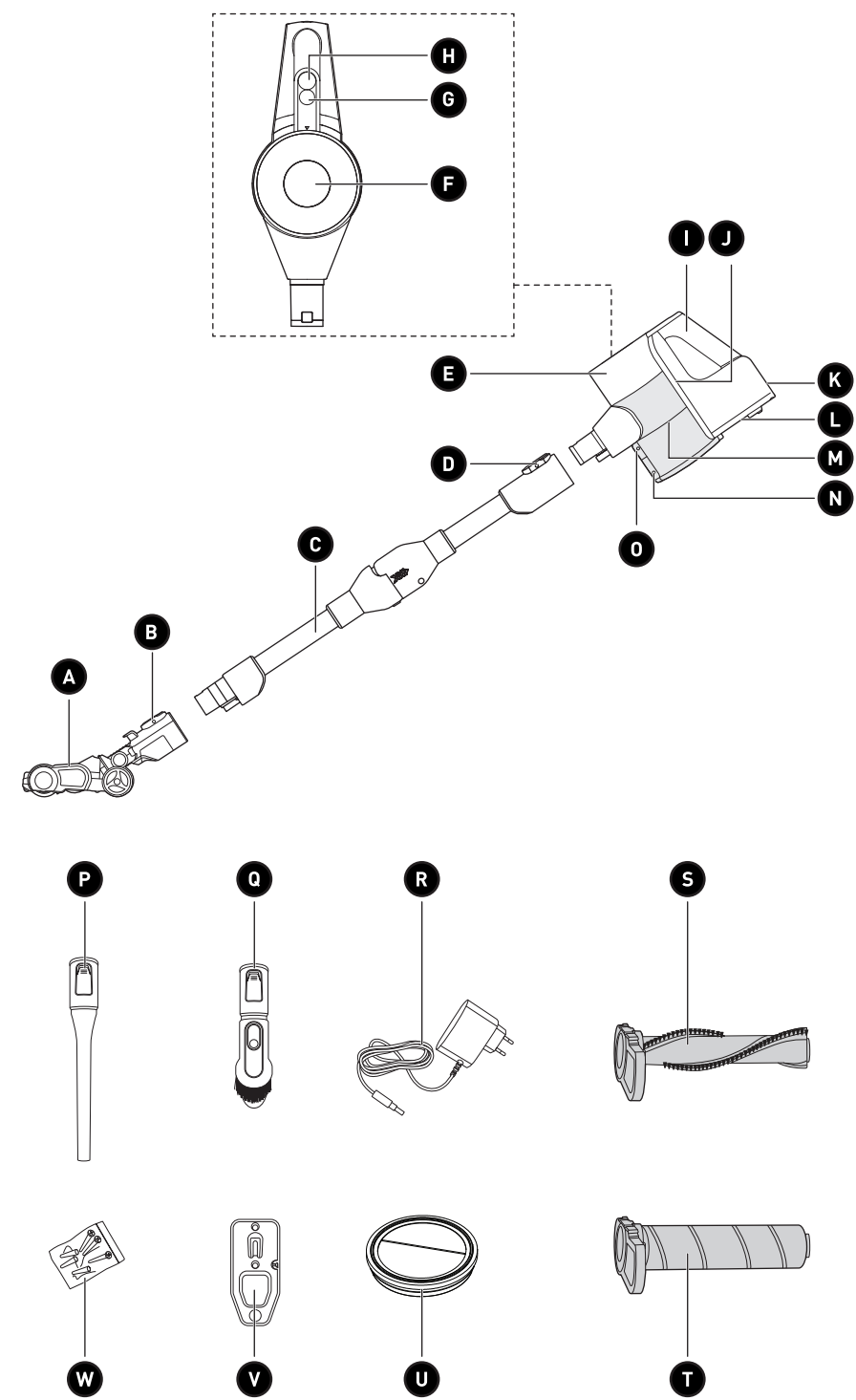
Stick Vacuum
Aspirateur
Stofzuiger
Aspirador

988201 – CYCLONIC - S12
FLEX AUTO ECO

INSTRUCTIONS FOR USE02
CONSIGNES D'UTILISATION16
GEBRUIKSAANWIJZINGEN32
INSTRUCCIONES DE USO48

ELECTRO DEPOT
1 route de Vendeville
59155 FACHES-THUMESNIL - FRANCE





Thank you!

Thank you for choosing this VALBERG product. VALBERG products are chosen, tested, and recommended by ELECTRO DEPOT, so you can be sure you are getting a top-quality, easy-to-use product that won't let you down.

We're confident your new device will be a pleasure to use every day!

Welcome to ELECTRO DEPOT.



Table of Contents

A

Product overview

Parts
Product overview
Intended use
Specifications

B

Product usage

Charging the vacuum cleaner
Using the vacuum cleaner
Operation

C

Cleaning and maintenance

Cleaning and maintenance
Emptying the dust cup
Detaching the dust cup and filters
Cleaning the bristles/roller brush and wheels
Clearing blockages
Troubleshooting
Error Messages
Storage

Parts

- A** Motorised floor brush (multi-angle with LED lights)
- B** Motorised floor brush release button
- C** Extension tube with flexible joint
- D** Tube release button
- E** Vents
- F** Power/battery display screen
- G** Power button (AUTO/HIGH/MIDDLE/LOW modes)
- H** ON/OFF button
- I** Main unit handle
- J** Main unit
- K** Charging socket
- L** Wall mount hook
- M** Dust cup with foam filter and permanent filter
- N** Dust cup lid release lever
- O** Dust cup release button
- P** Crevice tool

- Q** 2-in-1 brush
 - Crevice tool for hard-to-reach places
 - Brush for stubborn dirt on furniture, floors and carpets
- R** AC adapter
- S** Bristle brush (for use in motorised floor brush)
- T** Roller brush (for use in motorised floor brush)
- U** Foam filter x2 (part of the filter assembly: 1 filter pre-installed and 1 spare filter provided)
- V** Wall mount
- W** Wall plugs and screws


Product overview

- Unpack and remove all labels from the unit. Please check that all of the unit's parts are included and intact. If the unit is damaged or faulty, do not use it and take it to your retailer or after-sales service centre.
- Keep all packaging out of the reach of children. There is a risk of accidents if children play with packaging materials.

Intended use


This unit has been designed exclusively for household use. It has not been designed for industrial or professional use by cleaning companies. Any other use may damage the unit or cause injury. Only use the unit indoors, in a dry place.

Specifications

Vacuum cleaner model:	988201 – CYCLONIC - S12 FLEX AUTO ECO
Power:	25.9 V/DC, 420 W max.
Dust cup capacity:	0.6 L
Suction power:	High speed – 140 W Middle speed – 45 W Low speed – 10 W Auto speed – the suction power varies from low to high speed
Noise level:	High speed <=82 dB Low speed <=80 dB
Vacuum pressure:	High speed – 30 kPa Low speed – 7 kPa
Rechargeable Li-ion battery:	25.9 V, 2500 mAh
Charging time:	5 hours
Operation time:	High speed – 8 mins Middle speed – 18 mins Low speed – 60 mins
Protection class:	Class II
AC adapter model:	MC2805B-V
Vacuum voltage and adapter input:	100-240V~, 50-60Hz
Adapter output:	25 V/29 V  0.5 A
Battery design type:	Non-replaceable

Charging the vacuum cleaner





Fully charge the vacuum cleaner before the first use, after each use, or whenever the battery level is low.

- When the battery level is low, the low power icon  will be displayed to remind the user to charge the unit. If there is insufficient power, the unit will automatically stop.
- Before charging, always attach the dust cup and filters to the main unit (see **Detaching the dust cup and filters** in the **Cleaning and maintenance** section).



NOTE:

- The AC adapter may get warm whilst charging. This is normal.
- To ensure the longevity of the battery and the product's lifespan, recharge the vacuum cleaner whenever the battery has run out even if you do not plan to use it. If the unit is not used for long periods of time, fully charge the battery every 2 months.

- 1 Make sure the vacuum cleaner is off. Securely connect the AC adapter cable to the charging socket on the end of the main unit. Then, firmly plug the AC adapter into a suitable mains socket.
 - The battery screen displays the current battery charge level, i.e. 50%.
 - While charging, the battery level icon will be displayed: .
 - Once the unit is fully charged, the following will be displayed on the screen: .
 - It takes around 5 hours to fully charge the battery.
 - Once fully charged, the vacuum cleaner has a usage time of:
 - 8 minutes on turbo power
 - 18 minutes on medium power
 - 60 minutes on eco power
 - When the vacuum cleaner is in use, the battery level icon (comprising 6 blue bars that form a circle) will gradually reduce from 6 bars to 1 bar:  to .
 - When you have finished charging the unit, unplug the AC adapter from the mains socket first, before removing it from the vacuum cleaner.



WARNING!

- Only use the removable power supply (AC adapter) provided with this unit to recharge the battery: BP25925A.
- The unit will not work when charging. Never attempt to use it when charging.
- Do not leave the unit overnight or unattended when charging.
- Do not charge the battery at temperatures below 5°C or above 40°C.

Using the vacuum cleaner



WARNING:

- Never use the unit without the filters and dust cup.
- Make sure the unit is switched off and unplugged from the mains socket before attaching or changing any tools.

Attaching the tools

Select the desired vacuum tool and attach it to the main unit with the extension tube (for upright vacuum use) or without the extension tube (for handheld use), according to the task in hand:

- 1 Insert the motorised floor brush into the bottom of the extension tube. Make sure the black clip is aligned with the slot on the underside of the extension tube. Push both parts together until you hear a click.
 - 2 Next, insert the other end of the extension tube into the main unit's air inlet until you hear a click. The tool can also be connected directly to the main unit.
 - 3 The flexible joint on the extension tube changes the angle and height of the extension tube making it easier to vacuum under items such as sofas and tables. Simply pull the top part of the joint upwards in the direction of the arrow and then gently bend the joint. When finished using this feature, straighten the extension tube until the joint clicks into place.
- Motorised floor brush:
 - **With bristles** – Use it on all types of flooring, including hard and smooth surfaces, in addition to carpets that require a deep clean. Attach the floor brush (or roller brush depending on the floor surface) directly to the handheld vacuum to easily vacuum stairs.
 - **With roller** – Use it on surfaces that scratch easily, in addition to hard or smooth surfaces, such as parquet flooring, to optimally remove dust.
 - The LED lights on the front of the brush illuminate dark corners or spaces under furniture.
 - The motorised floor brush features a multi-angle neck joint which allows the user to vacuum with the extension tube or main unit at a 90-degree angle (e.g. staircases) or at a low angle (e.g. under a bed or sofa). The multi-angle neck joint also allows you to turn the brush left or right for easy control.



NOTE: The motorised floor brush may scratch or damage certain types of flooring or carpet. Make sure to test the surface before using the brush on delicate surfaces. Alternatively, use the 2-in-1 brush tool, if suitable.

- 4 Securely insert the crevice tool into the extension tube or the main unit's air inlet.
- It is perfect for vacuuming tight corners and small spaces.
 - The extension hose gives you an extra reach to vacuum cobwebs or hard-to-reach areas.

- 5 Securely insert the 2-in-1 brush tool into the extension tube or the main unit's air inlet.
- This brush is retractable.
 - Use the flat side to vacuum beds, sofas, rugs or any other flat surfaces. Use the brush for general dusting tasks, such as dusting furniture and shelves, etc.

Detaching the tools

- Make sure the unit is switched off.
- Press the release button on the extension tube/motorised floor brush/crevice tool/2-in-1 brush and then pull to detach the tool from the main unit.

Operation

- 6 ① To turn on the vacuum, press the ON/OFF button. The vacuum cleaner will turn on in AUTO mode and the power display screen will appear. When in AUTO mode, the dust-sensing function is enabled. The display animation will change from blue (no dust) to purple when it detects dust.
- ② Press the power button repeatedly to select HIGH, MIDDLE, LOW or AUTO power.
- To turn off the vacuum, press the ON/OFF button again.
 - Empty the dust cup before its contents exceed the MAX mark (see **Emptying the dust cup** in the **Cleaning and maintenance** section).
 - Once you have finished using the unit, always turn it off. To clean the unit, follow the instructions in the **Cleaning and Maintenance** section.
 - Charge the vacuum cleaner after each use to ensure the unit is fully charged and ready for the next use.



NOTE:

- When vacuuming heavily soiled surfaces, regularly turn the unit off and check the mouth of the tool is clean to avoid scratching delicate surfaces.
- To avoid blocking the vacuum cleaner, remove large pieces of waste, such as paper or plastic, from the area before vacuuming.

Installing the wall mount



NOTE:

- Securely install the wall mount on a wall that is strong enough to support the weight of the unit.
- Install the wall mount in a dry area, away from extreme heat or cold, and ideally close to a mains socket.

The wall mount (with the supplied wall plugs and screws) can be installed to easily store the vacuum cleaner.

- 7 Place the wall mount on the wall, leaving a space of **at least 150 cm** between the floor and the bottom of the wall mount. Mark the drill holes for the screws with a pencil. Then, drill the holes and insert the wall plugs. Place the wall mount over the wall plugs and tighten the screws using a screwdriver.

**DANGER! RISK OF ELECTRIC SHOCK**

- Do not pierce any electric cables or water pipes located in the wall.
- Do not install the wall mount on a metal wall.

Cleaning and maintenance



WARNING!

- To prevent the risk of electrocution, always turn off and unplug the unit from the mains supply before cleaning.
- Never immerse the main unit, motorised floor brush, AC adapter or cable in water or any other liquid. Never rinse them under the tap.



NOTE: Never use solvents, chemical or abrasive cleaning products, wire brushes, sharp objects or scouring pads to clean the unit.

- Detach all the tools and dust cup from the main unit before cleaning.
- Empty the dust cup after each use.
- Wash the dust cup and filters at least once a month or more often if required.

Main unit
Motorised floor brush
Extension tube

Wipe with a slightly damp, soft cloth. Dry well.

Dust cup
Foam filter
Permanent dust filter
Crevice tool
2-in-1 brush

Rinse under a tap or wash in soapy water with a soft sponge. Shake off any excess water and allow to completely air dry.

- Once dried, re-assemble all parts.

Emptying the dust cup

- To empty the dust cup, turn off the vacuum cleaner.
- Detach the extension tube and/or vacuum tool from the main unit's air inlet.

- 8 ① Hold the main unit vertically over a bin. Press the dust cup lid release lever.
- ② The lid on the bottom of the dust cup will flip open. Close the lid after emptying the contents.

Detaching the dust cup and filters

- 9 ① Hold the bottom of the dust cup with one hand. Press the dust cup release button with the other hand and pull the dust cup away from the main unit.
 - ② Lift the foam filter and then the permanent filter out of the dust cup.
 - ③ Tap the filters over a bin to dislodge the dust. Make sure the foam filter is tapped from above. Do not turn the filter upside down or tap the underside.
 - ④ Rinse the dust cup, the permanent filter and foam filter under a tap.
 - ⑤ Shake off any excess water and dry all parts completely.
- To re-assemble the filters and dust cup, carry out the steps in reverse order.
 - Make sure you align the two nodules on the rim of the permanent filter with the grooves on the dust cup when you slot them together.
 - Place the foam filter on top, white side up.
 - Insert the assembled dust cup onto the main unit, making sure to align the two parts correctly and then push the dust cup until it clicks into place.





WARNING! To prevent damage to the unit, only use dry, intact filters!

Cleaning the bristles/roller brush and wheels

If the bristles/roller brush or wheels of the motorised brush become blocked or jammed, turn off the unit.

Cleaning the bristles/roller brush

- 10 ① Press the motorised floor brush release button and separate the motorised floor brush from the extension tube.

- ② Turn the brush upside down. Press the brush cover release button and at the same time, push the brush compartment cover towards the unlock symbol . Then, pull the bristle or roller brush out and remove it from the compartment.
 - ③ Use a pair of scissors to carefully remove hair, fur, thread, or any other items that may have become entangled in the brush. Tap the brush to remove any dust. Do not use water to clean the brushes.
- Check and remove any fibre or debris found within the compartment.
 - To reassemble, slide the bristle or roller brush back into the compartment. Press the brush cover release button and at the same time push the brush compartment cover towards the lock symbol . Make sure the brush spins smoothly.

Cleaning the wheels

- ① If thread or dirt is jamming one of the wheels, carefully insert a screwdriver under the wheel axle and push upwards to prise it out. Remove any thread or object jamming the wheel.
- ② Reposition the wheel by firmly pressing it back into its compartment. Make sure it spins smoothly.

Clearing blockages

Clearing blockages

Small objects, carpet fibres, etc., can occasionally jam the vacuum cleaner.

- If you notice a blockage or loss of suction during use, turn off the vacuum cleaner.
- Detach the extension tube and/or vacuum tool to find the blockage and clear it.

Troubleshooting

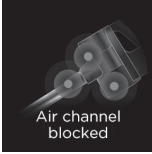
Use this troubleshooting guide to resolve any common problems that you may encounter with the unit. If the problem persists, do not use the unit and contact an authorised repair centre to have it inspected and if necessary, repaired.

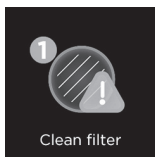
Problem	Possible Cause	Solution
The unit does not work.	<ul style="list-style-type: none"> • The unit is not charged. • The dust cup is full. • The dust cup or filters are not attached properly. • The extension tube/vacuum tool is blocked. • The unit is off. 	<ul style="list-style-type: none"> • Fully charge the battery. • Empty the dust cup. • Re-attach the dust cup and filters. • Turn off the unit and clear the blockage. • Press the ON/OFF button to turn on the unit.

Problem	Possible Cause	Solution
The unit only works for a short period of time after being charged.	<ul style="list-style-type: none"> The unit was not fully charged. The built-in rechargeable battery is faulty or has reached the end of its service life. 	<ul style="list-style-type: none"> Fully charge the unit as indicated in the Charging the vacuum cleaner section. The built-in rechargeable battery must be replaced by an authorised technician. Do not attempt to replace it yourself.
The motorised floor brush is not spinning.	<ul style="list-style-type: none"> The bristle/roller brush or a wheel axle is blocked by debris (hair, fur, fibres, etc.). 	<ul style="list-style-type: none"> Clean the brush or wheel as indicated in the Cleaning and maintenance section. Make sure the parts spin smoothly once they are re-assembled.
The suction is not strong, there is no suction, or the motor vibrates.	<ul style="list-style-type: none"> The extension tube, vacuum tool, dust cup or filters are partially blocked or full of dirt. 	<ul style="list-style-type: none"> Remove the blockage. Clean the filters. If necessary, replace the filter with a new one.
The battery indicators are flashing quickly, and the vacuum cleaner is hot.	<ul style="list-style-type: none"> The vacuum cleaner's battery or motor has overheated and/or there is a blockage. The AC adapter is not compatible with the vacuum cleaner. 	<ul style="list-style-type: none"> Turn off the unit and let it cool down completely. Clear the blockage, if applicable. When charging and using the unit, make sure that the ambient temperature is between 5°C and 40°C. Only use the AC adapter supplied with the unit.

Error Messages

In the event of a malfunction, the vacuum cleaner may display one of the following error messages on the display screen. Refer to the **Cleaning and maintenance** section for details on how to remove blockages.

Icon	Meaning
 <p>Air channel blocked</p>	<p>The air channel is blocked in the floor brush or the extension tube. Remove any blockages and clean the parts.</p>



The filters are excessively dirty and/or blocked and require disassembling and cleaning.



The air channel is blocked at the entrance to the main unit or in the attached extension tube or tool. Remove any blockages and clean the parts.



The dust cup is full. Empty out the dust and clean it.

Storage

- **12** When all parts are dry, reassemble and stow the unit on the wall mount as shown. Make sure the unit is securely hooked onto the wall mount.
- Always unplug the unit before storing it.
- Store the unit in a fresh, dry and dust-free place, out of the reach of children and pets.
- Please retain the packaging and use it to store your unit when it is not in use for an extended period of time.

Merci !

Merci d'avoir choisi ce produit VALBERG.
Choisis, testés et recommandés par ELECTRO DEPOT,
les produits de la marque VALBERG vous assurent
une utilisation simple, une performance fiable et
une qualité irréprochable.
Grâce à cet appareil, vous savez que chaque utilisation
vous apportera satisfaction.

Bienvenue chez ELECTRO DEPOT.

Visitez notre site Internet : www.electrodepot.fr
www.electrodepot.be

VOTRE AVIS COMPTE !



**PARTAGEZ
VOTRE EXPERIENCE
SUR LES PRODUITS**

Parce que votre satisfaction est notre priorité, nous vous proposons
de donner votre avis sur ce produit. Il sera transmis et analysé par
nos équipes afin d'améliorer continuellement le produit.

Donnez votre avis sur <http://www.electrodepot.fr/avis-client>



ELECTRO DEPOT

Table des matières

A

Aperçu de l'appareil

Composants
Aperçu de l'appareil
Utilisation prévue
Caractéristiques

B

Utilisation de l'appareil

Charge de l'aspirateur
Utilisation de l'aspirateur
Fonctionnement

C

Nettoyage et entretien

Nettoyage et entretien
Vidage du bac à poussière
Retrait du bac à poussière et des filtres
Nettoyage de la brosse à poils/du rouleau brosse et des roulettes
Élimination des blocages
Dépannage
Messages d'erreur
Rangement

Les notices sont aussi disponibles sur le site
<http://www.electrodepot.fr/sav/notices/>
<http://www.electrodepot.be/fr/sav/notices>

Composants

- A** Brosse pour sols motorisée (multi-angle avec LED)
- B** Bouton de déverrouillage de la brosse pour sols motorisée
- C** Tube télescopique avec raccord flexible
- D** Bouton de déverrouillage du tube
- E** Orifices d'aération
- F** Écran d'affichage de l'alimentation/de la batterie
- G** Bouton d'alimentation (modes AUTO/RAPIDE/MOYENNE/LENTE)
- H** Bouton marche/arrêt
- I** Poignée de l'unité principale
- J** Unité principale
- K** Prise de charge
- L** Crochet de fixation murale
- M** Bac à poussière avec filtre en mousse et filtre permanent
- N** Levier de déverrouillage du couvercle du bac à poussière
- O** Bouton de déverrouillage du bac à poussière
- P** Suceur plat

- Q** Brosse 2 en 1
 - Suceur plat pour les endroits difficiles d'accès
 - Brosse pour les saletés tenaces sur les meubles, les sols et les moquettes
- R** Adaptateur secteur
- S** Brosse à poils (à utiliser avec une brosse pour sols motorisée)
- T** Rouleau brosse (à utiliser avec une brosse pour sols motorisée)
- U** Filtre en mousse x2 (partie de l'ensemble du filtre : 1 filtre pré-installé et 1 filtre de rechange fourni)
- V** Support mural
- W** Chevilles et vis

Aperçu de l'appareil

- Déballez l'appareil et retirez toutes les étiquettes. Veuillez vérifier que toutes les pièces de l'appareil sont présentes et intactes. Si l'appareil est endommagé ou présente un dysfonctionnement, ne l'utilisez pas et rapportez-le à votre revendeur ou au service après-vente.
- Conservez tous les emballages hors de la portée des enfants. Il existe un risque d'accident si les enfants jouent avec les matériaux d'emballage.

Utilisation prévue


Cet appareil est exclusivement conçu pour une utilisation domestique. Il n'est pas conçu pour une utilisation industrielle ou professionnelle par des sociétés de nettoyage. Tout autre usage peut endommager l'appareil ou entraîner des blessures. N'utilisez l'appareil qu'en intérieur et dans un endroit sec.

Caractéristiques

Modèle d'aspirateur :	988201 – CYCLONIC - S12 FLEX AUTO ECO
Puissance :	25,9 V/CC, 420 W max.
Capacité du bac à poussière :	0,6 L
Puissance d'aspiration :	Vitesse rapide – 140 W Vitesse moyenne – 45 W Vitesse lente – 10 W Vitesse auto - la puissance d'aspiration varie de basse à haute vitesse
Niveau sonore :	Vitesse rapide ≤ 82 dB Vitesse lente ≤ 80 dB
Dépression de l'aspirateur :	Vitesse rapide – 30 kPa Vitesse lente – 7 kPa
Batterie Li-ion rechargeable :	25,9 V, 2500 mAh
Temps de charge :	5 heures
Autonomie :	Vitesse rapide - 8 minutes Vitesse moyenne - 18 minutes Vitesse lente - 60 minutes
Classe de protection :	Classe II
Modèle d'adaptateur secteur :	MC2805B-V
Tension de l'aspirateur et entrée de l'adaptateur :	100-240V~, 50-60Hz
Sortie de l'adaptateur :	25 V/29 V $\overline{\text{---}}$ 0,5 A
Type de batterie :	non remplaçable

Charge de l'aspirateur





Chargez complètement l'aspirateur avant la première utilisation, après chaque utilisation ou lorsque le niveau de la batterie est faible.

- Lorsque le niveau de la batterie est faible, l'icône de faible puissance  s'affiche pour rappeler à l'utilisateur de charger l'appareil. En cas de puissance insuffisante, l'appareil s'arrête automatiquement.
- Avant la charge, fixez toujours le bac à poussière et les filtres à l'unité principale (voir **Retrait du bac à poussière et des filtres** dans la section **Nettoyage et entretien**).



REMARQUE :

- L'adaptateur secteur peut devenir chaud pendant la charge. Cela est normal.
- Pour garantir la longévité de la batterie et la durée de vie du produit, rechargez l'aspirateur dès que la batterie est vide, même si vous ne prévoyez pas de l'utiliser. Si l'appareil n'est pas utilisé pendant de longues périodes, rechargez complètement la batterie tous les 2 mois.

- 1 Vérifiez que l'aspirateur est bien hors tension. Branchez fermement le câble de l'adaptateur secteur à la prise de charge située à l'extrémité de l'unité principale. Branchez ensuite fermement l'adaptateur secteur à une prise secteur adéquate.
 - L'écran d'affichage de la batterie indique le niveau de batterie restant, c'est-à-dire 50 %.
 - Pendant la charge, l'icône de niveau de batterie affichera : .
 - Une fois l'appareil complètement chargé, l'écran affichera : .
 - Il faut environ 5 heures pour que la batterie se charge complètement.
 - Une fois la batterie complètement chargée, l'aspirateur a une autonomie :
 - 8 minutes en mode turbo
 - 18 minutes à puissance moyenne
 - 60 minutes en mode éco
 - Lorsque l'aspirateur est en cours d'utilisation, l'icône de niveau de batterie (composée de 6 barres bleues qui forment un cercle) se réduira progressivement de 6 barres à 1 barre :  à .
 - Lorsque vous avez fini de charger l'appareil, débranchez d'abord l'adaptateur secteur de la prise secteur, puis de la prise de l'aspirateur.

**AVERTISSEMENT !**

- N'utilisez que la source d'alimentation amovible (adaptateur secteur) fournie avec l'appareil pour la recharge de la batterie : BP25925A.
- L'appareil ne fonctionne pas pendant la charge. N'essayez jamais de l'utiliser pendant le chargement.
- Ne laissez pas l'appareil charger toute une nuit ou sans surveillance.
- Ne chargez pas la batterie à des températures inférieures à 5 °C ou supérieures à 40 °C.

Utilisation de l'aspirateur**AVERTISSEMENT :**

- N'utilisez jamais l'appareil sans les filtres et le bac à poussière.
- Vérifiez que l'appareil est éteint et débranché de la prise secteur avant d'installer ou de changer des accessoires.

Installation des accessoires

Choisissez l'accessoire désiré et fixez-le à l'unité principale avec le tube télescopique (pour l'aspirateur balai) ou sans le tube télescopique (pour l'aspirateur à main), selon la tâche à accomplir.

- ① Insérez la brosse pour sols motorisée dans la partie inférieure du tube télescopique. Vérifiez que le clip noir est aligné avec la fente située sur le dessous du tube télescopique. Poussez les deux parties l'une vers l'autre jusqu'à entendre un clic.
 - ② Ensuite, insérez l'autre extrémité du tube télescopique dans l'entrée d'air de l'unité principale et poussez jusqu'à entendre un clic. Vous pouvez aussi connecter directement l'accessoire à l'unité principale.
 - ③ Le raccord flexible du tube télescopique permet de modifier l'angle et la hauteur du tube télescopique, ce qui facilite l'aspiration sous des meubles tels que des canapés et des tables. Tirez simplement la partie supérieure du raccord vers le haut dans le sens de la flèche, puis pliez doucement le raccord. Lorsque vous avez terminé d'utiliser cette fonction, redressez le tube télescopique jusqu'à ce que le raccord s'enclenche.
- Brosse pour sols motorisée :
 - **avec poils** – utilisez-la sur tous les types de sols, y compris les surfaces dures et lisses et les moquettes nécessitant un nettoyage en profondeur. Fixez la brosse pour sols (ou le rouleau brosse suivant la surface du sol à nettoyer) directement à l'aspirateur à main pour passer facilement l'aspirateur dans des escaliers.
 - **avec rouleau** – utilisez-la sur les surfaces qui se rayent facilement, ainsi que sur les surfaces dures et lisses, telles que les parquets, pour optimiser l'élimination des poussières.

- Les LED situées à l'avant de la brosse permettent d'éclairer les coins sombres ou le dessous des meubles.
- La brosse pour sols motorisée dispose d'un manche articulé à angles multiples qui permet à l'utilisateur d'aspirer avec le tube télescopique ou l'unité principale à un angle de 90 degrés (comme dans des escaliers) ou à un angle réduit (comme sous un lit ou un canapé). Le manche articulé à angles multiples vous permet également de tourner la brosse vers la gauche ou la droite pour un contrôle facile.



REMARQUE : La brosse pour sols motorisée peut rayer ou endommager certains types de sols ou moquettes. Veuillez à vérifier cela avant d'utiliser la brosse sur une surface délicate. Sinon, vous pouvez utiliser la brosse 2 en 1, si celle-ci est adaptée.

- 4** Insérez fermement le suceur plat dans le tube télescopique ou l'entrée d'air de l'unité principale.
 - Il est parfait pour aspirer dans les coins et espaces restreints.
 - Le tube télescopique vous permet d'atteindre les toiles d'araignée ou les endroits difficiles d'accès.
- 5** Insérez fermement la brosse 2 en 1 dans le tube télescopique ou l'entrée d'air de l'unité principale.
 - Cette brosse est rétractable.
 - Utilisez le côté plat pour aspirer la poussière des lits, des canapés, des tapis ou de toute autre surface plane. Utilisez la brosse pour des tâches de dépoussiérage général, comme pour éliminer la poussière des meubles, des étagères, etc.

Retrait des accessoires

- Assurez-vous que l'appareil est éteint.
- Appuyez sur le bouton de déverrouillage sur le tube télescopique/la brosse pour sols motorisée/le suceur plat ou la brosse 2 en 1, puis tirez pour détacher l'accessoire de l'unité principale.

Fonctionnement

- 1** Pour mettre l'aspirateur en marche, appuyez sur le bouton marche/arrêt. L'aspirateur s'allumera en mode AUTO et l'écran d'affichage de l'alimentation apparaîtra. En mode AUTO, la fonction de détection de poussière est activée. L'animation de l'affichage passe du bleu (pas de poussière) au violet lorsqu'il détecte de la poussière.
 - 2** Appuyez plusieurs fois sur le bouton d'alimentation pour sélectionner la puissance RAPIDE, MOYENNE, LENTE ou AUTO.
- Pour mettre l'aspirateur hors tension, appuyez à nouveau sur le bouton marche/arrêt.

- Videz le bac à poussière avant que son contenu ne dépasse le repère MAX (voir **Vidage du bac à poussière** dans la section **Nettoyage et entretien**).
- Mettez toujours l'appareil hors tension lorsque vous avez fini de l'utiliser. Suivez les consignes de la section **Nettoyage et entretien** pour nettoyer l'appareil.
- Rechargez l'aspirateur après chaque utilisation pour vous assurer qu'il soit complètement chargé et prêt pour la prochaine utilisation.

**REMARQUE :**

- Lorsque vous passez l'aspirateur sur des surfaces très sales, éteignez-le régulièrement et vérifiez l'ouverture de l'accessoire pour vous assurer qu'elle est propre et pour éviter de rayer les surfaces délicates.
- Pour éviter de bloquer l'aspiration, retirez les gros morceaux de déchets, tels que le papier ou le plastique, de la zone avant de passer l'aspirateur.

Installation du support mural**REMARQUE :**

- Installez le support mural de façon sûre sur un mur assez solide pour supporter le poids de l'appareil.
- Installez le support mural dans une zone sèche, loin de toute chaleur ou froid extrêmes et de préférence à proximité d'une prise secteur.

Le support mural (avec les chevilles et vis fournies) peut être installé afin de ranger facilement l'aspirateur.

- 7 Placez le support mural sur le mur, en laissant un espace d'**au moins 150 cm** entre le sol et le bas du support. Marquez les trous à percer pour les vis à l'aide d'un crayon. Ensuite, percez les trous et insérez les chevilles. Placez le support mural sur les chevilles et serrez les vis à l'aide d'un tournevis.

**DANGER ! RISQUE DE CHOC ÉLECTRIQUE**

- Ne percez pas les câbles électriques ou les conduites d'eau se trouvant dans le mur.
- Ne placez pas le support mural sur un mur métallique.

Nettoyage et entretien



AVERTISSEMENT !

- Pour éviter tout risque d'électrocution, éteignez et débranchez toujours l'appareil de la prise secteur avant de le nettoyer.
- Ne plongez jamais l'unité principale, la brosse pour sols motorisée, l'adaptateur secteur ou le câble dans l'eau ou dans tout autre liquide. Ne les rincez jamais sous le robinet.



REMARQUE : N'utilisez en aucun cas des solvants, des produits de nettoyage chimiques ou abrasifs, des brosses métalliques, des objets pointus ou des tampons à récurer pour nettoyer l'aspirateur.

- Détachez tous les accessoires et le bac à poussière de l'unité principale avant le nettoyage.
- Videz le bac à poussière après chaque utilisation.
- Nettoyez le bac à poussière au moins une fois par mois, voire plus souvent si nécessaire.

Unité principale

Brosse pour sols motorisée

Tube télescopique

Essuyez avec un chiffon doux légèrement humidifié.

Séchez bien.

Bac à poussière

Filtre en mousse

Filtre à poussière permanent

Suceur plat

Brosse 2 en 1

Rincez-les sous le robinet ou nettoyez-les dans de l'eau savonneuse avec une éponge douce. Secouez-les pour éliminer l'excès d'eau et laissez-les sécher complètement à l'air libre.

- Une fois ces éléments secs, assemblez-les à nouveau.

Vidage du bac à poussière

- Pour vider le bac à poussière, éteignez l'aspirateur.
 - Retirez le tube télescopique et/ou l'accessoire de l'entrée d'air de l'unité principale.
- ① Tenez l'unité principale verticalement au-dessus d'une poubelle. Appuyez sur le levier de déverrouillage du couvercle du bac à poussière.
 - ② Le couvercle situé en bas du bac à poussière s'ouvre. Fermez le couvercle après avoir vidé le contenu du bac.

Retrait du bac à poussière et des filtres

- ① Maintenez d'une main le bas du bac à poussière. De l'autre main, appuyez sur le bouton de déverrouillage du bac à poussière et retirez le bac de l'unité principale.
 - ② Soulevez le filtre en mousse puis le filtre permanent hors du bac à poussière.
 - ③ Tapez les filtres sur une poubelle pour déloger la poussière. Assurez-vous que le filtre en mousse est tapoté par le haut. Ne retournez pas le filtre et ne tapotez pas le dessous.
 - ④ Rincez le bac à poussière, le filtre permanent et le filtre en mousse sous un robinet.
 - ⑤ Secouez-les pour éliminer l'excès d'eau et séchez complètement tous les éléments.
- Pour assembler de nouveau les filtres et le bac à poussière, effectuez les étapes dans l'ordre inverse.
 - Assurez-vous d'aligner les deux nodules sur le bord du filtre permanent avec les rainures sur le bac à poussière lorsque vous les emboîtez.
 - Placez le filtre en mousse en haut, le côté blanc sur le dessus.
 - Insérez le bac à poussière assemblé sur l'unité principale, en veillant à aligner correctement les deux parties, puis poussez le bac à poussière jusqu'à ce qu'il s'enclenche.





AVERTISSEMENT ! Pour éviter d'endommager l'appareil, n'utilisez que des filtres secs intacts !

Nettoyage de la brosse à poils/du rouleau brosse et des roulettes

Si la brosse à poils/le rouleau brosse ou les roulettes de la brosse motorisée se bloquent, éteignez l'appareil.

Nettoyage de la brosse à poils/du rouleau brosse

- 10 ① Appuyez sur le bouton de déverrouillage de la brosse pour sols motorisée et retirez la brosse pour sols motorisée du tube télescopique.
 - ② Retournez la brosse. Appuyez sur le bouton de déverrouillage du couvercle de la brosse et, en même temps, poussez le couvercle du compartiment de la brosse vers le symbole de déverrouillage . Ensuite, sortez la brosse à poils ou le rouleau brosse et retirez-la/le du compartiment.
 - ③ À l'aide d'une paire de ciseaux, retirez soigneusement les cheveux, poils, fils ou autres objets qui auraient pu s'emmêler dans la brosse. Tapotez la brosse pour enlever toute poussière. N'utilisez pas d'eau pour nettoyer les brosses.
- Retirez toutes les fibres ou tous les débris pouvant être présents dans le compartiment.
 - Pour réassembler, faites glisser la brosse à poils ou le rouleau brosse dans le compartiment. Appuyez sur le bouton de déverrouillage du couvercle de la brosse et poussez en même temps le couvercle du compartiment de la brosse vers le symbole de verrouillage . Vérifiez que la brosse tourne de façon fluide.

Nettoyage des roulettes

- 11 ① Si des fils ou des saletés bloquent une des roulettes, insérez délicatement un tournevis sous l'axe de la roulette et poussez vers le haut pour le déloger en faisant levier. Retirez tout fil ou objet bloquant la roulette.
- ② Remettez la roulette en position en la poussant fermement dans le compartiment. Vérifiez qu'elle tourne de façon fluide.

Élimination des blocages

Élimination des blocages

De petits objets, des fibres de moquettes etc. peuvent parfois bloquer l'aspirateur.

- En cas de blocage ou de perte d'aspiration pendant l'utilisation, éteignez l'aspirateur.
- Détachez le tube télescopique et/ou l'accessoire pour trouver le blocage et l'éliminer.

Dépannage

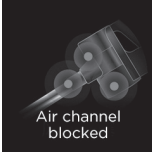
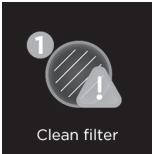


Consultez le présent guide de dépannage pour résoudre les problèmes que vous pourriez rencontrer fréquemment avec l'appareil. Si votre problème persiste, n'utilisez pas l'appareil et contactez un centre de réparation agréé pour le faire inspecter et réparer.

Problème	Cause possible	Solution
L'appareil ne fonctionne pas.	<ul style="list-style-type: none"> • L'appareil n'est pas chargé. • Le bac à poussière est plein. • Le bac à poussière ou les filtres ne sont pas correctement fixés. • Le tube télescopique/l'accessoire est bloqué. • L'appareil reste éteint. 	<ul style="list-style-type: none"> • Chargez complètement la batterie. • Videz le bac à poussière. • Installez à nouveau le bac à poussière et les filtres. • Éteignez l'appareil et éliminez le blocage. • Appuyez sur le bouton marche/arrêt pour mettre l'aspirateur en marche.
L'appareil ne fonctionne que pendant une courte période de temps après avoir été chargé.	<ul style="list-style-type: none"> • L'appareil n'est pas complètement chargé. • La batterie rechargeable intégrée est défectueuse ou a atteint la fin de son cycle de vie. 	<ul style="list-style-type: none"> • Chargez complètement l'appareil comme indiqué dans la section Charge de l'aspirateur. • La batterie rechargeable intégrée doit être remplacée par un technicien agréé. N'essayez pas de la remplacer vous-même.
La brosse pour sols motorisée ne tourne pas.	<ul style="list-style-type: none"> • La brosse à poils/le rouleau brosse ou un axe de roulette est bloqué par des débris (cheveux, poils, fibres, etc.). 	<ul style="list-style-type: none"> • Nettoyez la brosse ou la roulette comme expliqué dans la section Nettoyage et entretien. Vérifiez que les éléments tournent de façon fluide une fois qu'ils ont été à nouveau assemblés.
La puissance d'aspiration est faible, il n'y a pas d'aspiration, ou le moteur vibre.	<ul style="list-style-type: none"> • Le tube télescopique, l'accessoire, le bac à poussière ou les filtres sont partiellement bloqués ou remplis de poussière. 	<ul style="list-style-type: none"> • Retirez l'obstruction. • Nettoyez les filtres. • Si nécessaire, remplacez le filtre par un nouveau.

Problème	Cause possible	Solution
Les voyants de la batterie clignotent rapidement et l'aspirateur est chaud.	<ul style="list-style-type: none"> La batterie ou le moteur de l'aspirateur surchauffe et/ou il y a un blocage. L'adaptateur secteur n'est pas compatible avec l'aspirateur. 	<ul style="list-style-type: none"> Éteignez l'appareil et laissez-le refroidir complètement. Éliminez le blocage, le cas échéant. Lors de la charge et de l'utilisation de l'appareil, vérifiez que la température ambiante est comprise entre 5 et 40 °C. N'utilisez que l'adaptateur secteur fourni avec cet appareil.

Messages d'erreur

En cas de dysfonctionnement, l'aspirateur peut afficher l'un des messages d'erreur suivants sur l'écran d'affichage. Reportez-vous à la section **Nettoyage et entretien** pour plus de détails sur la façon d'éliminer les blocages.

Icône	Signification
	Le conduit d'air est bloqué dans la brosse pour sols ou le tube télescopique. Retirez tous les blocages et nettoyez les pièces.
	Les filtres sont excessivement sales et/ou obstrués et doivent être démontés et nettoyés.
	Le conduit d'air est bloqué à l'entrée de l'unité principale, dans le tube télescopique ou dans l'accessoire. Retirez tous les blocages et nettoyez les pièces.
	Le bac à poussière est plein. Videz la poussière et nettoyez-le.

Rangement

- **12** Lorsque tous les éléments sont secs, assemblez à nouveau l'appareil et placez-le sur son support mural, comme illustré. Vérifiez que l'unité principale est fermement accrochée au support mural.
- Débranchez toujours l'appareil de la prise de courant avant de le ranger.
- Rangez l'appareil dans un endroit frais, sec et propre, hors de la portée des enfants et des animaux domestiques.
- Veuillez conserver l'emballage pour ranger votre appareil lorsque vous ne l'utilisez pas sur une plus longue période.



Bedankt!

Proficiat met uw keuze voor een product van VALBERG. De selectie en de testen van de toestellen van VALBERG gebeuren volledig onder controle en supervisie van ELECTRO DEPOT. We staan garant voor de kwaliteit van de toestellen van VALBERG, die uitmunten in hun eenvoudig gebruik, hun betrouwbare werking en hun onberispelijke kwaliteit.

ELECTRO DEPOT beveelt de VALBERG toestellen aan en is ervan overtuigd dat u uiterst tevreden zal zijn bij elk gebruik van het toestel. Welkom bij ELECTRO DEPOT.

Bezoek onze website: www.electrodepot.be



A

Overzicht van het toestel

Onderdelen
Overzicht van het apparaat
Doelmatig gebruik
Specificaties

B

Gebruik van het toestel

De stofzuiger opladen
Gebruik van de stofzuiger
Werking

C

Reiniging en onderhoud

Reiniging en onderhoud
De stofbak legen
De stofbak en de filters verwijderen
De haarborstel/borstelrol en de wielen reinigen
Verstopingen verwijderen
Probleemoplossing
Foutmeldingen
Opslag

Onderdelen

- A** Elektroborstel (meerdere hoeken met LED)
- B** Ontgrendelingsknop voor elektroborstel
- C** Telescopische buis met flexibel koppelstuk
- D** Ontgrendelingsknop voor buis
- E** Ventilatieopeningen
- F** Schermweergave van netvoeding/accu
- G** Vermogenknop (AUTO/HOOG/MEDIUM/LAAG-modus)
- H** Aan/uit-knop
- I** Handgreep van hoofdeenheid
- J** Hoofdeenheid
- K** Oplaadaansluiting
- L** Haak voor muurbevestiging
- M** Stofbak met schuimfilter en permanente filter
- N** Ontgrendelingshendel voor stofbakdeksel
- O** Ontgrendelingsknop voor stofbak
- P** Spleetmondstuk

- Q** 2-in-1 borstel
 - Spleetmondstuk voor moeilijk te bereiken plaatsen
 - Borstel om hardnekkige vlekken op meubilair, vloeren en vast tapijt te verwijderen
- R** Netadapter
- S** Haarborstel (te gebruiken met een elektroborstel)
- T** Borstelrol (te gebruiken met een elektroborstel)
- U** Schuimfilter x2 (onderdeel van filtergedeelte: 1 reeds geïnstalleerde filter en 1 reservefilter meegeleverd)
- V** Muurhouder
- W** Schroeven en pluggen


Overzicht van het apparaat

- Haal het apparaat uit de verpakking en verwijder alle etiketten. Controleer of alle onderdelen van het apparaat aanwezig en in een goede staat zijn. Als het apparaat beschadigd of defect is, gebruik het niet en breng het terug naar uw handelaar of klantendienst.
- Bewaar alle verpakkingsmateriaal buiten het bereik van kinderen. Er is risico op een ongeval als kinderen met de verpakking spelen.

Doelmatig gebruik

Dit apparaat is alleen ontworpen voor huishoudelijk gebruik binnenshuis. Het apparaat is niet ontworpen voor industrieel of professioneel gebruik door schoonmaakbedrijven. Elk ander gebruik kan schade aan het apparaat of letsel teweegbrengen. Dit apparaat is alleen bestemd voor gebruik in een droge binnenruimte.

Specificaties

Model van stofzuiger:	988201 – CYCLONIC - S12 FLEX AUTO ECO
Vermogen:	25,9 V DC, 420 W max.
Inhoud van stofbak:	0,6 L
Zuigkracht:	Hoge snelheid – 140 W Medium snelheid - 45 W Lage snelheid – 10 W Automatische snelheid - zuigkracht varieert van lage tot hoge snelheid
Geluidsniveau:	Hoge snelheid <=82 dB Lage snelheid <=80 dB
Onderdruk van de stofzuiger:	Hoge snelheid – 30 kPa Lage snelheid – 7 kPa
Oplaadbare li-ion-accu:	25,9 V, 2500 mAh
Oplaadtijd:	5 uur
Werkingsijd:	Hoge snelheid - 8 minuten Medium snelheid - 18 minuten Lage snelheid - 60 minuten
Beschermingsklasse:	Klasse II
Model van netadapter:	MC2805B-V
Spanning van de stofzuiger en adapteringang:	100-240V~, 50-60Hz
Uitgang van adapter:	25 V/29 V  0,5 A
Ontwerptype batterij:	Niet-vervangbaar

De stofzuiger opladen





Laad de stofzuig volledig op voordat deze voor de eerste keer wordt gebruikt, na elk gebruik of wanneer het accuvermogen laag is.

- Wanneer de accu bijna leeg is, wordt het pictogram voor laag vermogen  weergegeven om de gebruiker eraan te herinneren het apparaat op te laden. Bij onvoldoende vermogen stopt het apparaat automatisch.
- Voordat u de stofzuiger oplaadt, bevestig altijd de stofbak en filters aan de hoofdeenheid (zie **De stofbak en filters verwijderen** in de sectie **Reiniging en onderhoud**).



OPMERKING:

- De netadapter kan tijdens het opladen warm worden. Dit is normaal.
- Voor een lange levensduur van de accu en het product, laad de stofzuiger op zodra de accu leeg is, zelfs wanneer u niet van plan bent om het apparaat te gebruiken. Als u denkt het apparaat langere tijd niet te gebruiken, laad de accu elke 2 maanden volledig op.

- 1 Controleer of de stofzuiger is uitgeschakeld. Steek de kabel van de netadapter stevig in de oplaadaansluiting aan het uiteinde van de hoofdeenheid. Steek de stekker van de netadapter stevig in een geschikt stopcontact.
 - Het accuschermd toont het resterende accuvermogen, namelijk 50%.
 - Tijdens het opladen geeft het accuvermogenpictogram het volgende weer: .
 - Wanneer het apparaat volledig is opgeladen, geeft het scherm het volgende weer: .
 - Het duurt ongeveer 5 uur om de accu volledig op te laden.
 - Wanneer de accu volledig is opgeladen, heeft de stofzuiger een werkingsduur van:
 - 8 minuten in de turbomodus
 - 18 minuten op middelhoog vermogen
 - 60 minuten in de eco-modus
 - Wanneer de stofzuiger in gebruik is, wordt het accuvermogenpictogram (bestaande uit 6 blauwe balkjes die een cirkel vormen) geleidelijk verlaagd van 6 balkjes naar 1 balkje:  naar .
 - Wanneer u klaar bent met het opladen van het apparaat, trek eerst de stekker van de netadapter uit het stopcontact en vervolgens uit de aansluiting van de stofzuiger.

**WAARSCHUWING!**

- Gebruik alleen de afneembare voedingsbron (netadapter) die met het apparaat is geleverd om de accu op te laden: BP25925A.
- Het apparaat werkt niet tijdens het opladen. Gebruik het apparaat nooit tijdens het opladen.
- Laad het apparaat niet 's nachts of zonder toezicht op.
- Laad de accu niet op bij een temperatuur lager dan 5 °C of hoger dan 40 °C.

Gebruik van de stofzuiger

**WAARSCHUWING:**

- Gebruik het apparaat nooit zonder de filters en de stofbak.
- Controleer of het apparaat is uitgeschakeld en de stekker uit het stopcontact is gehaald voor het installeren of vervangen van accessoires.

De accessoires installeren

Kies het gewenste accessoire en maak het vast aan de hoofdeenheid met de telescopische buis (als steelstofzuiger) of zonder de telescopische buis (als handstofzuiger), afhankelijk van de uit te voeren taak.

- 1 Steek de elektroborstel in het onderste deel van de telescopische buis. Controleer of de zwarte klem zich op één lijn bevindt met de sleuf aan de onderkant van de telescopische buis. Duw beide delen naar elkaar toe totdat een klik wordt gehoord.
 - 2 Steek vervolgens het ander uiteinde van de telescopische buis in de luchtinlaat van de hoofdeenheid en duw totdat een klik wordt gehoord. U kunt het accessoire tevens direct op de hoofdeenheid aansluiten.
 - 3 Het flexibel koppelstuk van de telescopische buis zorgt ervoor dat de hoek en hoogte van de telescopische buis kan worden gewijzigd om eenvoudiger onder meubels, zoals sofa's en tafels, te stofzuigen. Trek het bovenste deel van het koppelstuk omhoog in de richting van de pijl en buig het koppelstuk vervolgens voorzichtig. Wanneer u klaar bent met het gebruiken van deze functie, trek de telescopische buis recht totdat het koppelstuk vastklikt.
- Elektroborstel:
 - **met borstelharen** – gebruik deze op alle soorten vloeren, waaronder harde en gladde oppervlakken, en vast tapijt dat een diepe reiniging nodig heeft. Maak de vloerborstel (of de borstelrol afhankelijk van het te reinigen oppervlak) rechtstreeks aan de handstofzuiger vast om eenvoudig trappen te stofzuigen.
 - **met rol** – gebruik deze op oppervlakken die eenvoudig kunnen krassen of harde, gladde oppervlakken, zoals parket voor de beste verwijdering van stof.
 - De leds aan de voorkant van de borstel verlichten de ruimte in donkere hoeken of onder meubilair.

- De elektroborstel beschikt over een steel die door de gebruiker in meerdere standen ingesteld kan worden om in combinatie met de telescopische buis of de hoofdeenheid te stofzuigen tegen een hoek van 90 graden (bijv. op trappen) of een kleinere hoek (bijv. onder een bed of sofa). De steel met meerdere standen stelt u tevens in staat om de borstel naar links of rechts te draaien voor een eenvoudige bediening.



OPMERKING: De elektroborstel kan bepaalde soorten vloeren of vloerbekleding krassen of beschadigen. Controleer dit voordat de borstel op een delicaat oppervlak wordt gebruikt. U kunt in dit geval de 2-in-1 borstel gebruiken, indien deze voor het oppervlak geschikt is.

- 4 Breng het spleetmondstuk stevig aan op de telescopische buis of de luchtinlaat van de hoofdeenheid.
 - Deze is ideaal om in hoeken of nauwe ruimtes te stofzuigen.
 - De telescopische buis stelt u in staat om spinnenwebben of moeilijk toegankelijke ruimtes te bereiken.
- 5 Breng de 2-in-1 borstel stevig aan op de telescopische buis of de luchtinlaat van de hoofdeenheid.
 - Deze borstel is inschuifbaar.
 - Gebruik de platte kant om stof op bedden, banken, tapijt of andere vlakke oppervlakken op te zuigen. Gebruik de borstel voor algemene reinigingstaken zoals het verwijderen van stof op meubilair, rekken, etc.

De accessoires verwijderen

- Controleer of het apparaat uitgeschakeld is.
- Druk op de ontgrendelingsknop op de telescopische buis/elektroborstel/spleetmondstuk of 2-in-1 borstel en trek vervolgens om het accessoire van de hoofdeenheid los te maken.

Werking

- 6 ① Druk op de aan/uit-knop om de stofzuiger in te schakelen. De stofzuiger werkt in de AUTO-modus en de schermweergave van netvoeding verschijnt. In de AUTO-modus is de stofdetectiefunctie actief. De animatie van het scherm verandert van blauw (geen stof) naar paars wanneer het stof detecteert.
 - ② Druk herhaaldelijk op de vermogenknop om HOOG, MEDIUM, LAAG of AUTO- vermogen te selecteren.
- Om de stofzuiger uit te schakelen, druk opnieuw op de aan/uit-knop.
- Maak de stofbak leeg voordat de inhoud de „MAX“ markering bereikt (zie **De stofbak leegmaken** in de sectie **Reiniging en onderhoud**).
- Schakel het apparaat na elk gebruik uit. Volg de instructies in de sectie **Reiniging en onderhoud** om het apparaat te reinigen.

- Laad de stofzuiger na elk gebruik op om ervoor te zorgen dat het volledig opgeladen en klaar is voor het volgende gebruik.

**OPMERKING:**

- Als de stofzuiger op zeer vuile oppervlakken wordt gebruikt, schakel het apparaat regelmatig uit en controleer of de opening van het accessoire schoon is om krassen op delicate oppervlakken te vermijden.
- Om te voorkomen dat de zuigkracht wordt geblokkeerd, verwijder grote stukken vuil, zoals papier of plastic, uit het gebied voordat u stofzuigt.

De muurhouder installeren**OPMERKING:**

- Installeer de muurhouder stevig aan een muur die het gewicht van het apparaat kan dragen.
- Installeer de muurhouder in een droge zone, uit de buurt van extreme warmte of koude en bij voorkeur in de nabijheid van een stopcontact.

De muurhouder (schroeven en pluggen inbegrepen) kan worden geïnstalleerd om de stofzuiger eenvoudig op te bergen.

- 7 Breng de muurhouder op de muur aan met een ruimte van **minstens 150 cm** tussen de vloer en de onderkant van de houder. Markeer de te boren gaten voor de schroeven met behulp van een potlood. Boor de gaten en breng de pluggen aan. Breng de muurhouder op de pluggen aan en draai de schroeven vast met behulp van een schroevendraaier.

**GEVAAR! RISICO OP ELEKTRISCHE SCHOKKEN**

- Boor niet in elektriciteitskabels of waterleidingen die zich in de muur bevinden.
- Installeer de muurhouder niet op een metalen muur.

Reiniging en onderhoud



WAARSCHUWING!

- Om het risico op elektrische schokken te vermijden, schakel het apparaat altijd uit en haal de stekker uit het stopcontact voordat het apparaat wordt gereinigd.
- Dompel de hoofdeenheid, de elektroborstel, de netadapter of de kabel nooit onder in water of een andere vloeistof. Spoel ze nooit onder de kraan.



OPMERKING: Maak de stofzuiger nooit schoon met een oplosmiddel, chemisch of agressief schoonmaakmiddel, metalen borstel, scherp voorwerp of een schuursponsje.

- Maak alle accessoires en de stofbak los van de hoofdeenheid alvorens te reinigen.
- Leeg de stofbak na elk gebruik.
- Maak de stofbak minstens eenmaal per maand schoon. Doe dit vaker wanneer nodig.

Hoofdeenheid
Elektroborstel
Telescopische buis

Maak schoon met een zachte en licht bevochtigde doek. Veeg goed droog.

Stofbak
Schuimfilter
Permanente stoffilter
Spleetmondstuk
2-in-1 borstel

Spoel ze onder de kraan of maak ze schoon in zeepwater met een zachte spons. Schud ze om overtollig water te verwijderen en laat ze volledig aan de lucht drogen.

- Zet deze onderdelen opnieuw in elkaar zodra volledig droog.

De stofbak legen

- Om de stofbak te legen, schakel de stofzuiger uit.
- Maak de telescopische buis en/of het accessoire los van de luchtinlaat van de hoofdeenheid.

- 8
 - 1 Breng de eenheid verticaal boven een vuilnisbak aan. Druk op de ontgrendelingshendel van het stofbakdeksel.
 - 2 Het deksel aan de onderkant van de stofbak wordt geopend. Sluit het deksel wanneer de bak is geleegd.

De stofbak en de filters verwijderen

- 9
 - 1 Houd met één hand de onderkant van de stofbak vast. Druk met de andere hand op de ontgrendelingsknop van de stofbak en verwijder de bak uit de hoofdeenheid.
 - 2 Til de schuimfilter en vervolgens de permanente filter op om deze uit de stofbak te halen.
 - 3 Tik met de filters op een vuilnisbak om het stof los te maken. Zorg ervoor dat de schuimfilter vanaf de bovenkant wordt getikt. Draai de filter niet om en tik niet vanaf de onderkant.
 - 4 Spoel de stofbak, de permanente filter en de schuimfilter af onder een kraan.
 - 5 Schud ze om overtollig water te verwijderen en laat alle onderdelen volledig drogen.
- Om de filters en de stofbak weer in elkaar te zetten, voer de stappen in omgekeerde volgorde uit.
 - Breng de twee uitsteeksels aan de rand van de permanente filter op één lijn met de groeven op de stofbak wanneer u ze in elkaar zet.
 - Breng de schuimfilter aan de bovenkant met de witte kant omhoog gericht.
 - Breng de in de elkaar gezette stofbak op de hoofdeenheid aan. Zorg ervoor dat u de twee delen mooi op één lijn brengt en duw vervolgens op de stofbak totdat deze op zijn plaats klikt.



WAARSCHUWING! Om schade aan het apparaat te vermijden, gebruik alleen droge en onbeschadigde filters!

De haarborstel/borstelrol en de wielen reinigen

Als de haarborstel/borstelrol of de wielen van de elektroborstel blokkeren, schakel het apparaat uit.

De haarborstel/borstelrol reinigen

- 10 ① Druk op de ontgrendelingsknop van de elektroborstel en haal de elektroborstel van de telescopische buis af.
 - ② Draai de borstel om. Druk op de ontgrendelingsknop van het borsteldeksel en duw het deksel van het borstelvak tegelijkertijd in de richting van het ontgrendelingsymbool . Haal vervolgens de haarborstel of borstelrol eruit en verwijder deze uit het vak.
 - ③ Verwijder voorzichtig haar, pluis, draden of andere voorwerpen die zich op de borstel vasthechten met behulp van een schaar. Tik op de borstel om alle stof te verwijderen. Gebruik geen water om de borstels schoon te maken.
- Verwijder alle vezels of ander vuil die in het vak aanwezig zijn.
 - Om alles opnieuw in elkaar te zetten, schuif de borstel of borstelrol in het vak. Druk op de ontgrendelingsknop van het borsteldeksel en duw het deksel van het borstelvak tegelijkertijd in de richting van het vergrendelingsymbool . Controleer of de borstel ongehinderd draait.

De wielen reinigen

- 11 ① Als draad of vuil de wielen blokkeren, breng voorzichtig een schroevendraaier onder de wielas aan en duw deze omhoog om de as los te maken. Verwijder het draad of een ander voorwerp dat het wiel blokkeert.
- ② Breng het wiel opnieuw op zijn plaats aan door het stevig in het vak te duwen. Controleer of het ongehinderd draait.

Verstopingen verwijderen

Verstopingen verwijderen

Kleine voorwerpen, tapijtvezels, etc. kunnen de stofzuiger nu en dan verstoppen.

- Als er een verstopping of afname van de zuigkracht tijdens de werking wordt waargenomen, schakel de stofzuiger uit.
- Maak de telescopische buis en/of het accessoire los om de verstopping te vinden en te verwijderen.


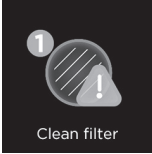
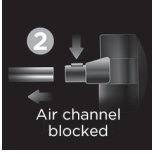

Probleemoplossing

Raadpleeg deze probleemoplossingsgids om problemen die zich tijdens het gebruik van het apparaat kunnen voordoen op te lossen. Als uw probleem blijft aanhouden, gebruik het apparaat dan niet en neem contact op met een erkend servicecentrum voor controle en reparatie.

Probleem	Mogelijke oorzaak	Oplossing
Het apparaat werkt niet.	<ul style="list-style-type: none"> • Het apparaat is niet opgeladen. • De stofbak is vol. • De stofbak of de filters zijn niet juist vastgemaakt. • De telescopische buis/ accessoire is verstopt. • Het apparaat blijft uitgeschakeld. 	<ul style="list-style-type: none"> • Laad de accu volledig op. • Leeg de stofbak. • Installeer de stofbak en de filters opnieuw. • Schakel het apparaat uit en verwijder de verstopping. • Druk op de aan/uit-knop om de stofzuiger in te schakelen.
Het apparaat werkt slechts korte tijd nadat het is opgeladen.	<ul style="list-style-type: none"> • Het apparaat is niet volledig opgeladen. • De ingebouwde, oplaadbare accu is defect of heeft het einde van de levensduur bereikt. 	<ul style="list-style-type: none"> • Laad het apparaat volledig op zoals vermeld in de sectie De stofzuiger opladen. • De geïntegreerde, oplaadbare accu moet vervangen worden door een erkend technicus. Vervang het niet zelf.
De elektroborstel draait niet.	<ul style="list-style-type: none"> • De haarborstel/ borstelrol of een wielas zit vast door vuil (haar, pluis, vezels, etc.). 	<ul style="list-style-type: none"> • Reinig de borstel of het wieltje zoals vermeld in de sectie Reiniging en onderhoud. Controleer of de onderdelen ongehinderd draaien wanneer ze opnieuw zijn aangebracht.
De zuigkracht is laag, er is geen zuigkracht of de motor trilt.	<ul style="list-style-type: none"> • De telescopische buis, het accessoire, de stofbak of de filters zijn gedeeltelijk verstopt of zitten vol stof. 	<ul style="list-style-type: none"> • Verwijder de verstopping. • Reinig de filters. • Indien nodig, vervang de filter door een nieuwe.
De accucontrolelampjes knipperen snel en de stofzuiger voelt warm aan.	<ul style="list-style-type: none"> • De accu of de motor van de stofzuiger is oververhit en/of er is een verstopping. • De netadapter is niet compatibel met de stofzuiger. 	<ul style="list-style-type: none"> • Schakel het apparaat uit en laat het apparaat volledig afkoelen. Verwijder de verstopping, indien aanwezig. • Tijdens het opladen en gebruiken van het apparaat, controleer of de kamertemperatuur tussen 5 en 40 °C is. • Gebruik alleen de netadapter die met dit apparaat is meegeleverd.

Foutmeldingen

In geval van een storing kan de stofzuiger een van de volgende foutmeldingen op het scherm weergeven. Voor meer informatie over het verwijderen van verstoppingen, raadpleeg de sectie **Reiniging en onderhoud**.

Pictogram	Betekenis
 <p>Air channel blocked</p>	<p>Het luchtkanaal in de vloerborstel of telescopische buis is verstopt. Verwijder alle verstoppingen en maak de onderdelen schoon.</p>
 <p>Clean filter</p>	<p>De filters zijn overmatig vuil en/of verstopt en moeten worden losgemaakt en gereinigd.</p>
 <p>Air channel blocked</p>	<p>Het luchtkanaal in de vloerborstel of telescopische buis is verstopt aan de inlaat van het hoofdeenheden. Verwijder alle verstoppingen en maak de onderdelen schoon.</p>
 <p>Clean dust bin</p>	<p>De stofbak is vol. Leeg de stofbak en maak deze schoon.</p>

Opslag

- **12** Wanneer alle onderdelen droog zijn, zet het apparaat opnieuw in elkaar en breng het op zijn muurhouder aan, zoals afgebeeld. Controleer of de hoofdeenheden stevig aan de muurhouder is vastgemaakt.
- Haal altijd de stekker uit het stopcontact voordat u het apparaat opbergt.

- Bewaar het apparaat in een koele, droge en schone ruimte, uit de buurt van kinderen en huisdieren.
- Bewaar de verpakking om uw apparaat in op te bergen als u het langere tijd niet denkt te gebruiken.



¡Muchas gracias!

Muchas gracias por haber elegido nuestro producto VALBERG. Seleccionados, testados y recomendados por ELECTRO DEPOT, los productos de la marca VALBERG le aseguran una utilización sencilla, un rendimiento fiable y una calidad incuestionable.

Con este dispositivo puede estar seguro de que siempre quedará satisfecho al utilizarlo. Le damos la bienvenida a ELECTRO DEPOT.

Visite nuestra página web: www.electrodepot.es



A

Descripción del aparato

Componentes
Descripción del aparato
Uso previsto
Características

B

Utilización del aparato

Carga de la aspiradora
Uso de la aspiradora
Funcionamiento

C

Limpieza y mantenimiento

Limpieza y mantenimiento
Vaciado del colector de polvo
Desmontaje del colector de polvo y de los filtros
Limpieza del cepillo de cerdas/rodillo cepillo y de las ruedas
Eliminación de bloqueos
Resolución de problemas
Mensajes de error
Almacenamiento

Componentes

- A** Cepillo para suelos motorizado (de múltiples ángulos con LED)
- B** Botón de desbloqueo del cepillo para suelos motorizado
- C** Tubo telescópico con conector flexible
- D** Botón de desbloqueo del tubo
- E** Orificios de ventilación
- F** Pantalla de visualización de la alimentación/de la batería
- G** Botón de alimentación (modos AUTO/ALTO/MEDIO/BAJO)
- H** Botón de encendido/apagado
- I** Asa de la unidad principal
- J** Unidad principal
- K** Toma de carga
- L** Gancho de fijación a la pared
- M** Colector de polvo con filtro de espuma y filtro permanente
- N** Palanca de desbloqueo de la tapa del colector de polvo
- O** Botón de desbloqueo del colector de polvo
- P** Boquilla de succión plana

- Q** Cepillo 2-en-1
 - Boquilla de succión plana para lugares de difícil acceso
 - Cepillo para la suciedad difícil de eliminar en muebles, suelos y moquetas
- R** Adaptador de corriente
- S** Cepillo de cerdas (para usar con un cepillo para suelos motorizado)
- T** Rodillo cepillo (para usar con un cepillo para suelos motorizado)
- U** Filtro de espuma x2 (pieza del conjunto del filtro: 1 filtro preinstalado y 1 filtro de recambio suministrado)
- V** Soporte de pared
- W** Tacos y tornillos


Descripción del aparato

- Desembale el aparato y quítele todas las etiquetas. Asegúrese de que el embalaje contenga todas las piezas del aparato y que estas estén intactas. Si el aparato presentara daños o un fallo de funcionamiento, no lo utilice y llévelo a su distribuidor o al servicio de posventa.
- Mantenga todos los elementos del embalaje fuera del alcance de los niños. Podrían producirse accidentes si los niños jugaran con los materiales del embalaje.

Uso previsto


Este aparato ha sido diseñado exclusivamente para un uso doméstico. No está concebido para un uso industrial o profesional por parte de empresas de limpieza. Cualquier otro uso podría dañar el aparato o provocar lesiones. Utilice este aparato únicamente en interiores y en un entorno seco.

Características

Modelo de aspiradora:	988201 – CYCLONIC - S12 FLEX AUTO ECO
Potencia:	25,9 V/CC, 420 W máx.
Capacidad del colector de polvo:	0,6 L
Potencia de aspiración:	Velocidad alta – 140 W Velocidad media – 45 W Velocidad baja – 10 W Velocidad auto – la potencia de aspiración varía de baja a alta velocidad
Nivel sonoro:	Velocidad alta <=82 dB Velocidad baja <=80 dB
Depresión de la aspiradora:	Velocidad alta – 30 kPa Velocidad baja – 7 kPa
Batería de iones de litio recargable:	25,9 V, 2500 mAh
Tiempo de carga:	5 horas
Autonomía:	Velocidad alta - 8 minutos Velocidad media - 18 minutos Velocidad baja - 60 minutos
Clase de protección:	Clase II
Modelo del adaptador de alimentación:	MC2805B-V
Tensión de la aspiradora y entrada del adaptador:	100-240V~, 50-60Hz
Salida del adaptador:	25 V/29 V  0,5 A
Tipo de diseño de batería:	No reemplazable

Carga de la aspiradora





Cargue completamente la aspiradora antes del primer uso, después de cada uso o cuando la batería esté baja de carga.

- Cuando la batería esté baja de carga, se mostrará el icono de potencia baja  para avisar al usuario de que debe cargar el aparato. Si no tiene suficiente potencia, el aparato se apagará automáticamente.
- Antes de cargarlo, fije siempre el colector de polvo y los filtros en la unidad principal (consulte el apartado **Desmontaje del colector de polvo y de los filtros** en la sección **Limpieza y mantenimiento**).



NOTA:

- El adaptador de alimentación podría calentarse durante la carga. Esto es algo normal.
- Para garantizar la larga vida útil de la batería y del producto, recargue la aspiradora en cuanto la batería esté descargada, incluso si no tiene previsto utilizarla. Si el aparato no se utiliza durante largos períodos de tiempo, cargue totalmente la batería cada 2 meses.

- 1 Asegúrese de que la aspiradora esté apagada correctamente. Enchufe firmemente el cable del adaptador de alimentación en la toma de carga ubicada en el extremo de la unidad principal. A continuación, enchufe firmemente el adaptador de alimentación en una toma de corriente adecuada.
 - La pantalla de visualización de la batería indica el nivel de batería restante, es decir, el 50%.
 - Durante la carga, el icono del nivel de la batería mostrará: .
 - Una vez que el aparato esté totalmente cargado, la pantalla mostrará: .
 - La batería tarda unas 5 horas en cargarse completamente.
 - Una vez que la batería esté completamente cargada, la aspiradora tendrá una autonomía de:
 - 8 minutos en modo turbo
 - 18 minutos a potencia media
 - 60 minutos en modo eco
 - Cuando la aspiradora esté en funcionamiento, el icono del nivel de la batería (compuesto por 6 barras azules que forman un círculo) se reducirá gradualmente de 6 barras a 1 barra:  a .
 - Cuando haya terminado de cargar el aparato, desenchufe primero el adaptador de alimentación de la toma de corriente y, después, de la toma de la aspiradora.


¡ADVERTENCIA!

- Utilice únicamente la fuente de alimentación extraíble (adaptador de alimentación) suministrada con el aparato para recargar la batería: BP25925A.
- El aparato no funciona durante la carga. Nunca intente utilizarlo mientras se esté cargando.
- No deje el aparato cargándose durante la noche o sin vigilancia.
- No cargue la batería a temperaturas inferiores a 5 °C ni superiores a 40 °C.

Uso de la aspiradora


ADVERTENCIA:

- Nunca utilice el aparato sin los filtros y sin el colector de polvo.
- Asegúrese de que el aparato esté apagado y desenchufado de la toma de corriente antes de montar o cambiar los accesorios.

Montaje de los accesorios

Elija el accesorio que desee y fíjelo en la unidad principal con el tubo telescópico (para la aspiradora escoba) o sin el tubo telescópico (para la aspiradora manual), según la tarea que vaya a realizar.

- 1 Inserte el cepillo para suelos motorizado en la parte inferior del tubo telescópico. Asegúrese de que el enganche negro esté alineado con la ranura de la parte inferior del tubo telescópico. Presione las dos piezas, una contra otra, hasta que escuche un clic.
 - 2 A continuación, inserte el otro extremo del tubo telescópico en la entrada de aire de la unidad principal y presiónelo hasta que escuche un clic. También puede conectar directamente el accesorio a la unidad principal.
 - 3 El conector flexible del tubo telescópico permite cambiar el ángulo y la altura del tubo telescópico, lo que facilita la aspiración debajo de los muebles, como sofás y mesas. Simplemente, tire de la parte superior del conector hacia arriba en la dirección de la flecha y, después, doble suavemente el conector. Cuando haya terminado de utilizar esta función, enderece el tubo telescópico hasta que el conector quede enganchado.
- Cepillo para suelos motorizado:
 - **Con cerdas:** utilícelo en todo tipo de suelos, incluyendo las superficies duras y lisas y las moquetas que necesiten una limpieza en profundidad. Fije el cepillo para suelos (o el rodillo cepillo, dependiendo de la superficie del suelo que vaya a limpiar) directamente en la aspiradora manual para pasar fácilmente la aspiradora por las escaleras.
 - **Con rodillo:** utilícelo en superficies que se rayan fácilmente; así como en superficies duras y lisas, como parqués, para optimizar la eliminación del polvo.

- Las luces LED situadas en la parte delantera del cepillo permiten iluminar los rincones oscuros y por debajo de los muebles.
- El cepillo para suelos motorizado está dotado de un mango articulado de múltiples ángulos que permite al usuario aspirar con el tubo telescópico o la unidad principal con un ángulo de 90 grados (como en las escaleras) o con un ángulo reducido (como debajo de una cama o un sofá). El mango articulado de múltiples ángulos también le permite girar el cepillo a la izquierda o a la derecha para controlarlo fácilmente.



NOTA: El cepillo para suelos motorizado puede rayar o dañar algunos tipos de suelos o moquetas. Compruébelo antes de utilizar el cepillo en una superficie delicada. También puede utilizar el cepillo 2-en-1, si es adecuado.

- 4 Inserte firmemente la boquilla de succión plana en el tubo telescópico o en la entrada de aire de la unidad principal.
 - Es perfecta para aspirar en esquinas o espacios estrechos.
 - El tubo telescópico le permite llegar a las telarañas y a los lugares de difícil acceso.
- 5 Inserte firmemente el cepillo 2-en-1 en el tubo telescópico o en la entrada de aire de la unidad principal.
 - Este cepillo es retráctil.
 - Utilice el lado plano para aspirar el polvo en camas, sofás, alfombras y cualquier otra superficie plana. Utilice el cepillo para quitar el polvo en general, como eliminar el polvo en muebles, estantes, etc.

Desmontaje de los accesorios

- Asegúrese de que el aparato esté apagado.
- Presione el botón de desbloqueo en el tubo telescópico/cepillo para suelos motorizado/boquilla de succión plana o cepillo 2-en-1 y, después, tire para desmontar el accesorio de la unidad principal.

Funcionamiento

- 1 Para encender la aspiradora, presione el botón de encendido/apagado. La aspiradora se iluminará en modo AUTO y aparecerá la pantalla de visualización de encendido. En el modo AUTO, se activará la función de detección de polvo. La animación de la pantalla cambiará de azul (sin polvo) a morado cuando detecte polvo.
 - 2 Presione repetidamente el botón de alimentación para seleccionar la potencia ALTO, MEDIO, BAJO o AUTO.
- Para apagar la aspiradora, presione de nuevo el botón de encendido/apagado.
 - Vacíe el colector de polvo antes de que su contenido sobrepase la marca MAX (consulte el apartado **Vaciado del colector de polvo** en la sección **Limpieza y mantenimiento**).

- Apague siempre el aparato cuando haya terminado de utilizarlo. Siga las instrucciones de la sección **Limpieza y mantenimiento** para limpiar el aparato.
- Cargue la aspiradora después de cada uso para asegurarse de que esté completamente cargada y lista para el próximo uso.

**NOTA:**

- Cuando pase la aspiradora por superficies muy sucias, apáguela regularmente y observe la abertura del accesorio para asegurarse de que está limpia y para evitar rayar las superficies delicadas.
- Para evitar bloquear la aspiración, retire los trozos grandes de suciedad, como papel o plástico, de la zona antes de pasar la aspiradora.

Instalación del soporte de pared**NOTA:**

- Instale el soporte de pared de forma segura en una pared que sea lo suficientemente resistente como para soportar el peso del aparato.
- Instale el soporte de pared en una zona seca, alejada del calor y el frío extremos y preferiblemente cerca de una toma de corriente.

El soporte de pared (con los tacos y tornillos incluidos) se puede instalar para guardar la aspiradora fácilmente.

- 7 Coloque el soporte de pared en la pared, dejando un espacio de **al menos 150 cm** entre el suelo y la parte inferior del soporte. Marque con un lápiz los agujeros que vaya a perforar para los tornillos. A continuación, perforo los agujeros e introduzca los tacos. Coloque el soporte de pared en los tacos y apriete los tornillos con un destornillador.

**¡PELIGRO! RIESGO DE DESCARGA ELÉCTRICA**

- No perforo los cables eléctricos ni las tuberías de agua ubicados en la pared.
- No coloque el soporte de pared en una pared metálica.

Limpieza y mantenimiento



¡ADVERTENCIA!

- Para evitar el riesgo de electrocución, apague y desenchufe siempre el aparato de la toma de corriente antes de limpiarlo.
- Nunca sumerja la unidad principal, el cepillo para suelos motorizado, el adaptador de alimentación ni el cable en el agua ni en ningún otro líquido. Nunca los aclare bajo el grifo.



NOTA: No utilice nunca disolventes, productos de limpieza químicos o abrasivos, cepillos metálicos, objetos punzantes ni estropajos tradicionales o metálicos para limpiar la aspiradora.

- Quite todos los accesorios y el colector de polvo de la unidad principal antes de realizar la limpieza.
- Vacíe el colector de polvo después de cada uso.
- Limpie el colector de polvo al menos una vez al mes, o incluso más a menudo si es necesario.

Unidad principal

Cepillo para suelos motorizado

Tubo telescópico

Límpielos con un paño suave y ligeramente

humedecido. Séquelos bien.

Colector de polvo

Filtro de espuma

Filtro para polvo permanente

Boquilla de succión plana

Cepillo 2-en-1

Enjuáguelos bajo el grifo o lávelos con agua jabonosa y una esponja suave. Sacúdalos para eliminar el exceso de agua y deje que se sequen completamente al aire libre.

- Una vez estén secos estos elementos, vuelva a montarlos.

Vaciado del colector de polvo

- Para vaciar el colector de polvo, apague la aspiradora.

- Saque el tubo telescópico y/o el accesorio de la entrada de aire de la unidad principal.
- 8** **1** Sujete la unidad principal en vertical sobre un cubo de basura. Presione la palanca de desbloqueo de la tapa del colector de polvo.
- 2** Se abrirá la tapa situada bajo el colector de polvo. Cierre la tapa después de vaciar el contenido del colector.

Desmontaje del colector de polvo y de los filtros

- 9** **1** Sujete con una mano la parte inferior del colector de polvo. Con la otra mano, presione el botón de desbloqueo del colector de polvo y saque el colector de la unidad principal.
- 2** Saque el filtro de espuma y luego el filtro permanente del colector de polvo.
- 3** Dé unos golpecitos a los filtros sobre un cubo de basura para eliminar el polvo. Asegúrese de golpear el filtro de espuma desde arriba. No dé la vuelta al filtro ni lo golpee por debajo.
- 4** Enjuague el colector de polvo, el filtro permanente y el filtro de espuma bajo el grifo.
- 5** Sacúdalos para eliminar el exceso de agua y seque completamente todos los elementos.
- Para volver a montar los filtros y el colector de polvo, siga los pasos en orden inverso.
 - Asegúrese de alinear los dos nódulos del borde del filtro permanente con las ranuras del colector de polvo cuando los encaje.
 - Coloque el filtro de espuma en la parte superior, con el lado blanco hacia arriba.
 - Inserte el colector de polvo montado en la unidad principal, asegurándose de alinear correctamente las dos partes y, a continuación, empuje el colector de polvo hasta que quede sujeto en su posición.





¡ADVERTENCIA! ¡Utilice solo filtros secos intactos para no dañar el aparato!

Limpieza del cepillo de cerdas/rodillo cepillo y de las ruedas

Si el cepillo de cerdas/rodillo cepillo o las ruedas del cepillo motorizado se bloquean, apague el aparato.

Limpieza del cepillo de cerdas/rodillo cepillo

- 10
 - 1 Presione el botón de desbloqueo del cepillo para suelos motorizado y retire el cepillo para suelos motorizado del tubo telescópico.
 - 2 Dé la vuelta al cepillo. Presione el botón de desbloqueo de la tapa del cepillo y, al mismo tiempo, empuje la tapa del compartimento del cepillo hacia el símbolo de desbloqueo . A continuación, saque el cepillo de cerdas o el rodillo cepillo y retírelo del compartimento.
 - 3 Con unas tijeras, retire con cuidado los cabellos, pelos, hilos u otros objetos que puedan haberse quedado enredados en el cepillo. Dé unos golpecitos al cepillo para eliminar cualquier resto de polvo. No utilice agua para limpiar los cepillos.
- Retire cualquier fibra o suciedad que haya en el compartimento.
- Para volver a montarlo, deslice el cepillo de cerdas o el rodillo cepillo en el compartimento. Presione el botón de desbloqueo de la tapa del cepillo y empuje, al mismo tiempo, la tapa del compartimento del cepillo hacia el símbolo de bloqueo . Asegúrese de que el cepillo gira de manera fluida.

Limpieza de las ruedas

- 11
 - 1 Si alguna de las ruedas está bloqueada por hilos o suciedad, introduzca con cuidado un destornillador bajo el eje de la rueda y empuje hacia arriba para sacarlo haciendo palanca. Retire cualquier hilo u objeto que esté bloqueando la rueda.
 - 2 Vuelva a colocar la rueda en su posición presionándola firmemente en el compartimento. Asegúrese de que gira de manera fluida.

Eliminación de bloqueos

Eliminación de bloqueos

Algunas veces, pequeños objetos, fibras de moquetas, etc. pueden bloquear la aspiradora.

- En caso de bloqueo o pérdida de aspiración durante el uso, apague la aspiradora.
- Desmonte el tubo telescópico y/o el accesorio para encontrar el bloqueo y eliminarlo.


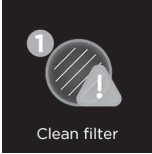
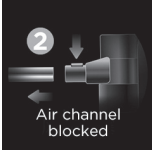

Resolución de problemas

Consulte esta guía de resolución de problemas para resolver los problemas que podría experimentar frecuentemente con el aparato. Si su problema persiste, no utilice el aparato y contacte con un centro de reparaciones autorizado para que lo examinen y lo reparen.

Problema	Posible causa	Solución
El aparato no funciona.	<ul style="list-style-type: none"> • El aparato no está cargado. • El colector de polvo está lleno. • El colector de polvo o los filtros no están fijados correctamente. • El tubo telescópico/ el accesorio está bloqueado. • El aparato no se enciende. 	<ul style="list-style-type: none"> • Cargue completamente la batería. • Vacíe el colector de polvo. • Coloque de nuevo el colector de polvo y los filtros. • Apague el aparato y elimine el bloqueo. • Presione el botón de encendido/apagado para encender la aspiradora.
El aparato solo funciona durante un corto periodo de tiempo después de haberlo cargado.	<ul style="list-style-type: none"> • El aparato no está completamente cargado. • La batería recargable integrada está defectuosa o ha llegado al final de su vida útil. 	<ul style="list-style-type: none"> • Cargue completamente el aparato tal y como se indica en la sección Carga de la aspiradora. • La batería recargable integrada debe ser reemplazada por un técnico autorizado. No intente reemplazarla por su cuenta.
El cepillo para suelos motorizado no gira.	<ul style="list-style-type: none"> • El cepillo de cerdas/ rodillo cepillo o un eje de una rueda están bloqueados por restos de suciedad (cabellos, pelos, fibras, etc.) 	<ul style="list-style-type: none"> • Limpie el cepillo o la rueda tal y como se explica en la sección Limpieza y mantenimiento. Asegúrese de que los elementos giran de forma fluida cuando los haya vuelto a montar.
La potencia de aspiración es baja, no hay aspiración o el motor vibra.	<ul style="list-style-type: none"> • El tubo telescópico, el accesorio, el colector de polvo o los filtros están parcialmente bloqueados o llenos de polvo. 	<ul style="list-style-type: none"> • Elimine la obstrucción. • Limpie los filtros. • Si es necesario, cambie el filtro por uno nuevo.
Los indicadores de la batería parpadean rápidamente y la aspiradora está caliente.	<ul style="list-style-type: none"> • La batería o el motor de la aspiradora están sobrecalentados y/o hay un bloqueo. • El adaptador de alimentación no es compatible con la aspiradora. 	<ul style="list-style-type: none"> • Apague el aparato y deje que se enfríe completamente. Elimine el bloqueo, en el caso de que lo haya. • Durante la carga y el uso del aparato, asegúrese de que la temperatura ambiente está comprendida entre los 5 °C y los 40 °C. • Utilice únicamente el adaptador de alimentación suministrado con este aparato.

Mensajes de error

En caso de mal funcionamiento, la aspiradora puede mostrar uno de los siguientes mensajes de error en la pantalla de visualización. Para más información acerca de cómo eliminar los bloqueos, consulte la sección **Limpieza y mantenimiento**.

Icono	Significado
	El conducto de aire está bloqueado en el cepillo para suelos o el tubo telescópico. Elimine todos los bloqueos y limpie las piezas.
	Los filtros están excesivamente sucios y/u obstruidos y deberá desmontarlos y limpiarlos.
	El conducto de aire está bloqueado en la entrada de la unidad principal, en el tubo telescópico o en el accesorio. Elimine todos los bloqueos y limpie las piezas.
	El colector de polvo está lleno. Vacíe el polvo y límpielo.

Almacenamiento

- **12** Cuando todos los elementos estén secos, vuelva a montar el aparato y colóquelo en su soporte de pared, tal y como se indica. Asegúrese de que la unidad principal esté firmemente enganchada en el soporte de pared.
- Antes de almacenar el dispositivo, desconéctelo del suministro eléctrico.

- Almacene el aparato en un lugar fresco, seco y limpio. Conserve el aparato fuera del alcance de los niños y las mascotas.
- Guarde el embalaje para almacenar su aparato cuando no lo vaya a utilizar durante un periodo de tiempo prolongado.





